



## WHY CHOOSE QUALITY STEEL ANHYDROUS AMMONIA (NH<sub>3</sub>) TANKS?

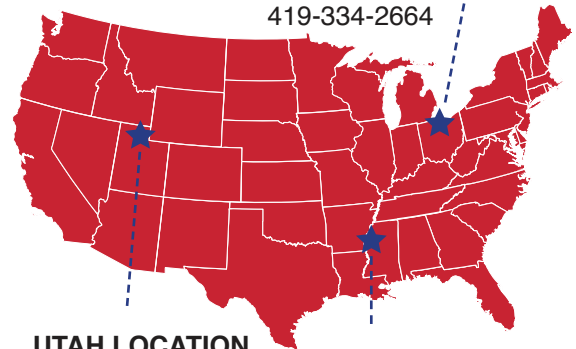
- 1,000 - 2,000 WG CAPACITY
- General Specifications
  - All tanks are made in America at the Fremont, Ohio, plant and shipped direct from that location
  - Stringently manufactured to the requirements of the ASME code for your safety
  - Engineered roll-over cage with heavier steel and greater accessibility to valves
  - Roll-over cage mounted on welding pads for maximum strength and is field repairable
  - 30% more working clearance from liquid withdrawal valve and safety handle
  - Seal welded stainless steel data plate mounted on pads and away from hose connections for longer life
  - Superior leg design that is stronger, field repairable, mounted on a welding pad
  - Precise fit before weld with 100% x-ray of long-seam welds
  - Advanced powder paint coating to resist exterior corrosion
  - All tanks are fully stress relieved to help alleviate stress corrosion
  - All tanks are vacuum purged
  - Standard tanks are shipped with stainless steel float gauges, water bottle attachments and two drain plugs
  - A three-year limited warranty is in place along with largest, most experienced sales and customer support team
- Financing and leasing available
- Customized delivery programs available

## HOW DO I FIND MY SALES REP?

Visit our website, [www.propanetank.com](http://www.propanetank.com) to view a list of our reps. Once on our site you'll be able to choose the Commercial options and from there you'll be taken to a list of US states where you can choose your location and view the contact information for your local sales rep. If you don't see your sales rep. please give us a call at 800-345-2495.

Our manufacturing locations are strategically located to help serve your tank needs.

**OHIO LOCATION**  
721 Graham Drive  
Fremont, OH 43420  
419-334-2664



**UTAH LOCATION**  
5601 Axel Park Rd.  
West Jordan, UT 84081  
801-280-1133

**HOME OFFICE**  
2914 U.S. 61  
Cleveland, MS 38732  
800-345-2495



*We want to make it easier for you to do your tank business!*



**QUALITY STEEL**

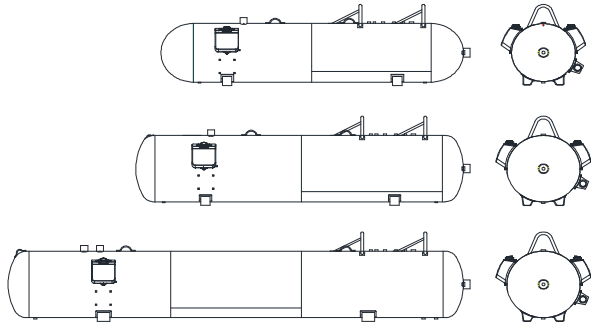
Because Quality Steel Means Quality Tanks  
★ Thank You for Supporting USA Manufacturers ★

# ANHYDROUS AMMONIA (NH3)

Consult our dimension and specification chart below to find the tank that best fits your needs. Visit our website at [www.propanetank.com](http://www.propanetank.com) for more information.

Vessels shown with optional safety equipment brackets and end mount float gauge.

Water bottle and safety equipment by customer.

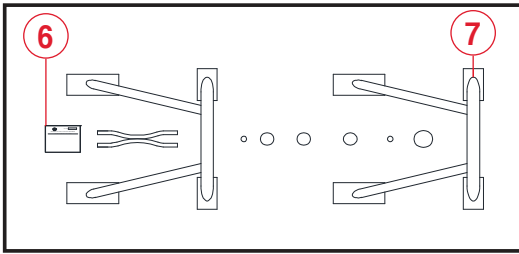


## Quality Steel Corporation NH3 Nurse Tanks

Capacity (gallons)	Diameter (OD)	Head Type	Overall Length	Overall Height	Leg Bolt Spacing		Weight (lbs.)
					Length	Width	
1000	41"	Hemi.	16'	4'-9 1/2"	9' o.c. 10' o.c.	21" o.c. 21" o.c.	1,800
1450	46.5"	Ellip.	17'-3 3/4"	5'-4"	10' o.c. 12'-1"	21" o.c. 21" o.c.	2,658
2000	46.5"	Ellip.	24'-1"	5'-4"	14'	21" o.c.	3,765

Dimensions and specifications shown are approximate. Individual vessels may vary

### Standard Fitting Arrangement



1. 1 1/2" liquid withdrawal
2. Pressure gauge
3. Vapor/Fill
4. Float gauge
5. Fixed outage gauge
6. Tank name plate
7. Roll cage/valve guard



Pressure relief valve(s) not shown



**HOME OFFICE**  
2914 U.S.61  
Cleveland, MS 38732  
800-345-2495

**OHIO LOCATION**  
721 Graham Drive  
Fremont, OH 43420  
419-334-2664

**UTAH LOCATION**  
5601 Axel Park Rd.  
West Jordan, UT 84081  
801-280-1133